

# Ceiling and Wall Mount Brackets

## Description and Mounting





## 1 Description

These mount brackets are designed for UD300 displays or SC Series studio clocks with a square housing. They allow mounting of one unit or two units back to back.

Power and data cables coming out of a hole in the ceiling or wall can be routed through the bracket. There is a cable entry at the top and two cable exits at each side.

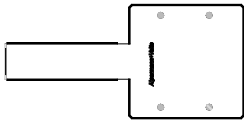

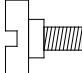

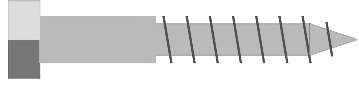
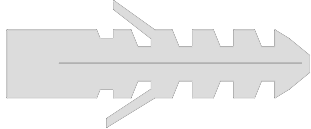

The hardware for mounting to wood or concrete/stone ceilings is included.

	ATTENTION: Indoor use only!
---	-----------------------------

## 2 Technical Data

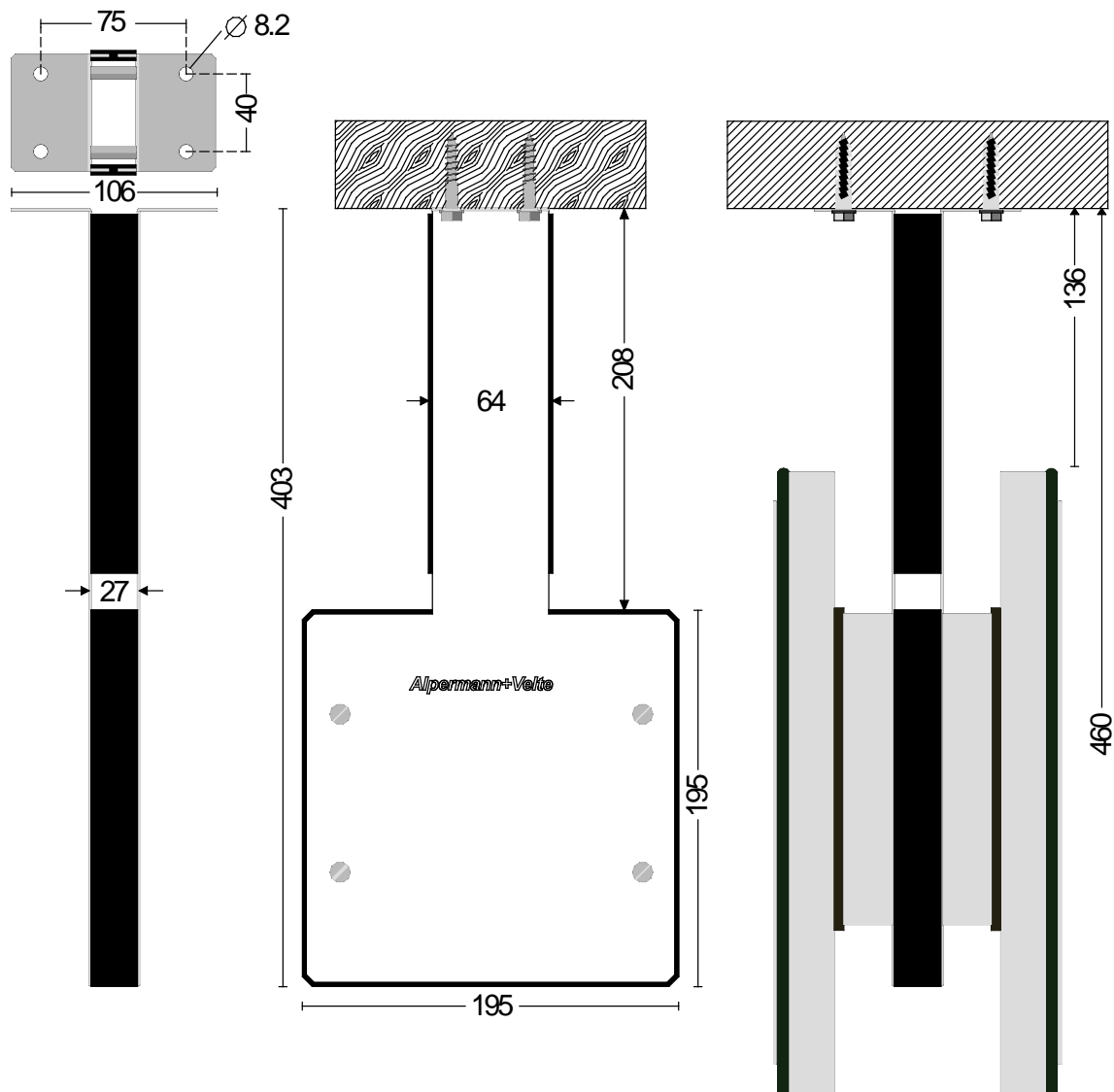
Material	Brackets made of high-grade steel, blank. Edge guard made of rubber. Black painted plate made of steel.
Total weight	1.2 kg
Maximum load capacity	10 kg

## 3 Parts List

Bracket	 1 x
Bumpers, self-adhesive, polyurethane, black, Ø10 mm, thickness 1.6 mm	 8 x
Special flat head screws, slotted M3x7	 8 x
Flat washers, thickness 1.5 mm, Øa = 12 mm, Øi = 6.5 mm	 4 x
Hex head screws 6x50 mm, high-grade steel	 4 x
Screw anchors (wall plugs), plastic	 4 x
Black painted steel plate 60 x 39 x 4 mm	 2 x

## 4 Dimensions

All dimensions in mm.



## 5 Mounting Guide

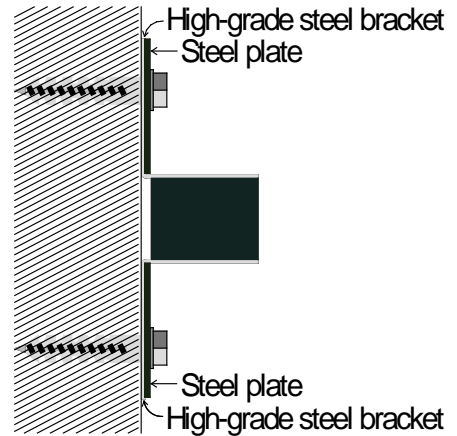
### 5.1 Drilling and Screwing the Bracket

The bracket has to be secured with four screws. Use the hardware included or a material which is similar and suitable. Please ensure that the ceiling or wall and the material you are going to use have enough load-bearing capacity (at least 10 kg)!

Note on wall mounting:

In order to stabilize the high-grade steel bracket both the steel plates must be installed on the bracket so that the bracket is between wall and steel plate!

The steel plates are not necessary in case of ceiling mounting.



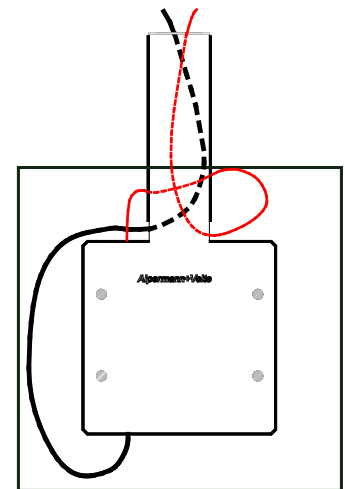
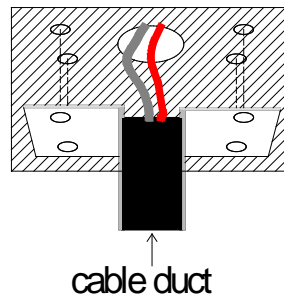
Likely all the cables (power, data) will be routed through the ceiling with open ends. Place the four screws in a way that the cable outlet is just in the centre. Now you can pass the cables through the cable duct of the bracket.

Cable length from ceiling outlet: Power cable UD300  $\approx$  70 cm.  
Data cables and DC power (SC Series)  $\approx$  50 cm.

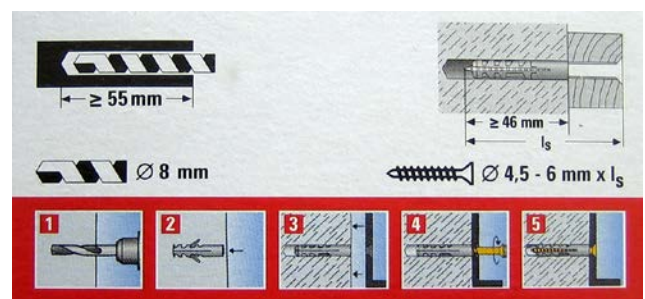
Example of routing the cables:

Black: Power cable UD300.

Red: Data cables or DC power (SC Series).

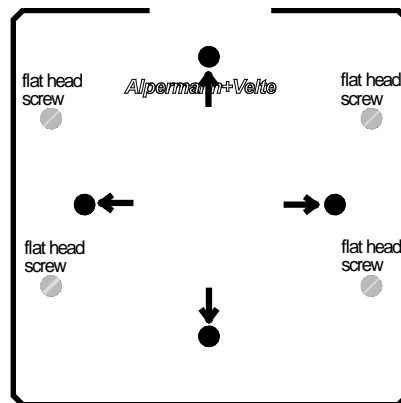


If you use the screw anchors included, please notice the technical data sheet aside:



## 5.2 Attach the Display or Studio Clock to the Bracket

1. Each side of the bracket where you want to attach a unit must have screwed four of the special flat head screws: two near the right and two near the left edge. Ensure that these screws are not loose. The screws should be just tight – not too tight.
2. Stick four of the black bumpers to each side of the bracket where you want to attach a unit, as shown below:



3. There are four openings at the back of the unit for receiving the flat head screws. Now first attach the unit to the lower flat head screws, then to the upper. Press against the unit and push the unit down for securing. The top edge of the rear case of the unit should be a few millimetres lower than the top edge of the bracket. Ensure that the unit is level and tight.

